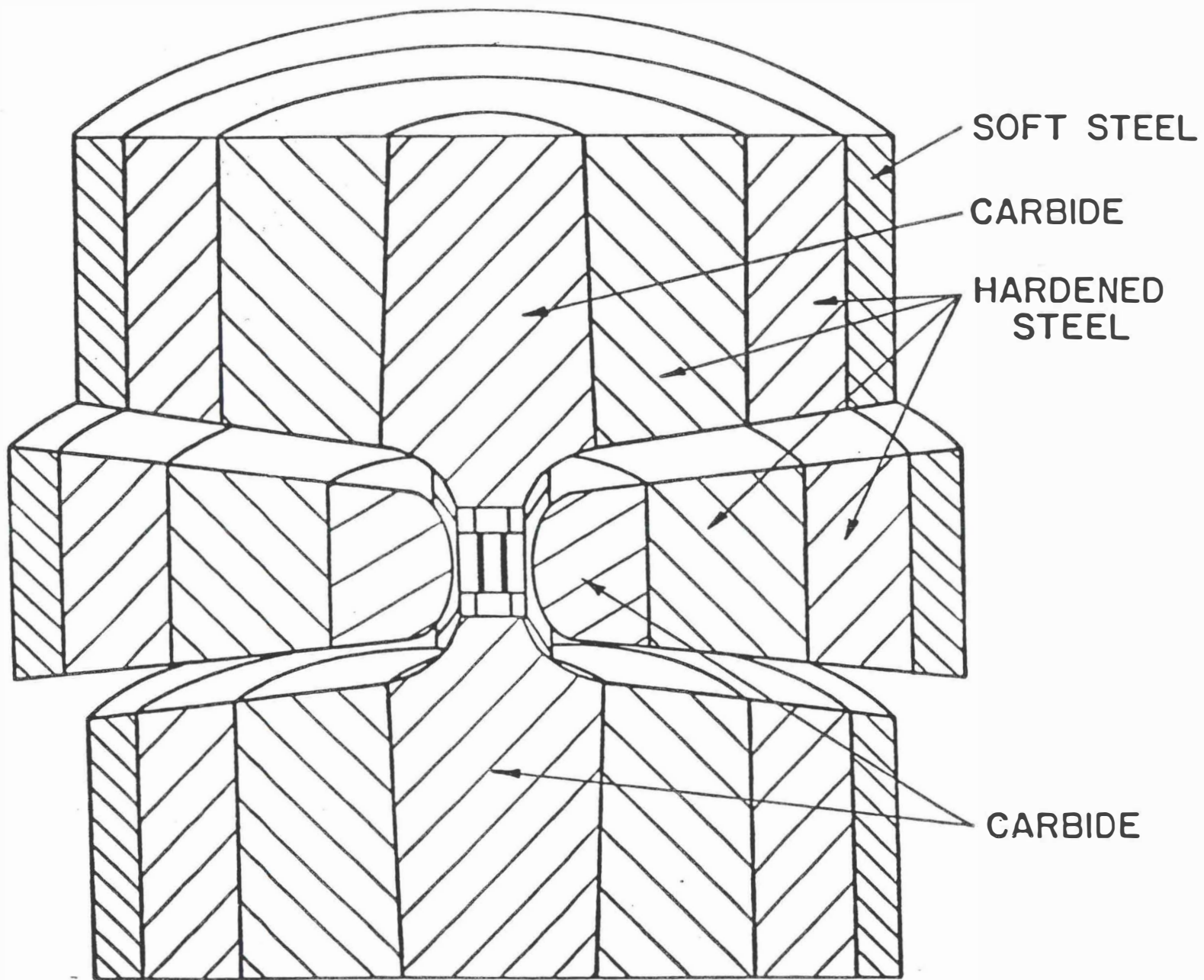


Fig.1 "Exploded" view of the Belt High temperature, High pressure apparatus.



ALL DRAWINGS BY THE INVENTOR, H. TRACY HALL

Fig.2 "Closed" view of the Belt High Temperature, High pressure apparatus